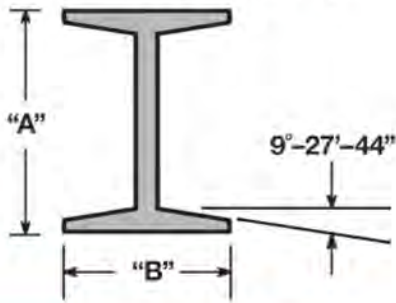
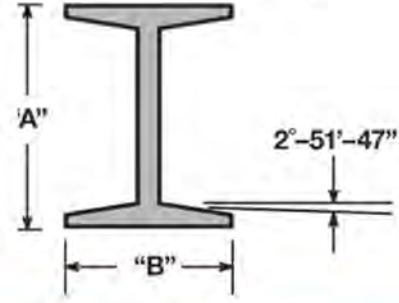


S-Beams (tapered)



W-Beams (flat)



Standard Size Height ("A")		Weight per Foot		Beam Flange width ("B")	
in.	mm	lbs.	kg	in.	mm

American Standard "I" Beam Sizes

4	101.6	7.70	3.49	2.660	67.564
4	101.6	9.50	4.31	2.796	71.018
5	127.0	10.00	4.54	3.000	76.200
5	127.0	14.75	6.69	3.284	83.414
6	152.4	12.50	5.67	3.330	84.582
6	152.4	17.25	7.82	3.565	90.551
7	177.8	15.30	6.94	3.660	92.964
7	177.8	20.00	9.07	3.860	98.044
8	203.2	28.40	8.35	4.000	101.600
8	203.2	23.00	10.43	4.171	105.943
10	254.0	25.40	11.34	4.660	118.364
10	254.0	35.00	15.88	4.944	125.578
12	304.8	31.80	14.06	5.000	127.000
12	304.8	35.00	15.88	5.078	128.981
12	304.8	40.80	18.51	5.250	133.350
12	304.8	50.00	22.68	5.477	139.116
15	381.0	42.90	19.46	5.500	139.700
15	381.0	50.00	22.68	5.640	143.256
18	457.2	54.70	24.81	6.000	152.400
18	457.2	70.00	31.75	6.251	158.775
20	508.0	65.90	29.67	6.250	158.750
20	508.0	75.00	34.02	6.391	162.331
20	508.0	85.00	38.56	7.053	179.146
20	508.0	95.00	43.09	7.200	182.880
24	609.6	79.90	36.24	7.000	177.800
24	609.6	90.00	40.82	7.124	180.950
24	609.6	100.00	45.36	7.247	184.074
24	609.6	105.90	48.04	7.875	200.025
24	609.6	120.00	54.43	8.048	204.419

Standard Size Height ("A")		Flange Type*	Weight per Foot		Beam Flange width ("B")	
in.	mm		lbs.	kg	in.	mm

W or Wide Flange "I" Beam Sizes

6	152.4	(B)	10	4.55	3.000	76.200
7	177.8	(B)	12	5.44	3.500	88.900
8	203.2	(WF)	17	7.71	5.250	133.350
8	203.2	(WF)	20	9.07	5.268	133.807
10	254.0	(WF)	21	9.53	5.750	146.050
10	254.0	(WF)	25	11.34	5.762	146.355
10	254.0	(WF)	29	13.15	5.799	147.295
12	302.8	(WF)	21	9.53	6.500	165.100
12	304.8	(WF)	31	14.06	6.525	165.735
12	304.8	(WF)	36	16.33	6.565	166.751
14	355.6	(WF)	30	13.61	6.733	171.018
14	355.6	(WF)	34	15.42	6.750	171.450
14	355.6	(WF)	38	17.24	6.776	172.110
16	406.4	(WF)	36	16.33	6.992	177.597
16	406.4	(WF)	40	18.14	7.000	177.800
16	406.4	(WF)	45	20.41	7.039	178.791
16	406.4	(WF)	50	22.68	7.073	179.654
16	406.4	(WF)	58	26.31	8.464	214.986
16	406.4	(WF)	64	29.03	8.500	215.900
16	406.4	(WF)	71	32.21	8.543	216.992
16	406.4	(WF)	78	35.38	8.586	218.084
18	457.2	(WF)	50	22.68	7.500	190.500
18	457.2	(WF)	55	24.95	7.532	191.313
18	457.2	(WF)	60	27.22	7.558	191.973
18	457.2	(WF)	64	29.03	8.715	221.361
18	457.2	(WF)	70	31.75	8.750	222.250
18	457.2	(WF)	77	34.93	8.787	223.190
18	457.2	(WF)	85	38.56	8.838	224.485
21	533.4	(WF)	62	28.12	8.240	209.296
21	533.4	(WF)	68	30.84	8.270	210.058
21	533.4	(WF)	73	33.11	8.295	210.693
21	533.4	(WF)	82	37.20	8.962	227.635
21	533.4	(WF)	96	43.55	9.038	229.565
24	609.6	(WF)	76	34.47	8.985	228.219
24	609.6	(WF)	84	38.10	9.015	228.981
24	609.6	(WF)	94	42.64	9.061	230.149
24	609.6	(WF)	100	45.36	12.000	304.800
24	609.6	(WF)	110	49.90	12.042	305.867
24	609.6	(WF)	112	50.80	12.068	307.035

These charts show common standard beam sizes, weights, and flange widths for both American standard section "I" beams and wide flange shapes (as listed by the American Institute of Steel Construction). Always include beam sizes when ordering trolley hoists.

NOTE:

Carnegie 24" WF beams of these weights have straight flanges.

* (WF) = Wide Flange