

# Hoist/Hoistactor Combination Units

P2 Series



## P2 Series

Capacity:  
1100-4400 lbs. 500-2000 kg

Beam flange width:  
3.00-5.25 in 76-133 mm

Minimum turning radius:  
1100 lbs., 1500 lbs., 2200 lbs. cap.  
26 in 660 mm

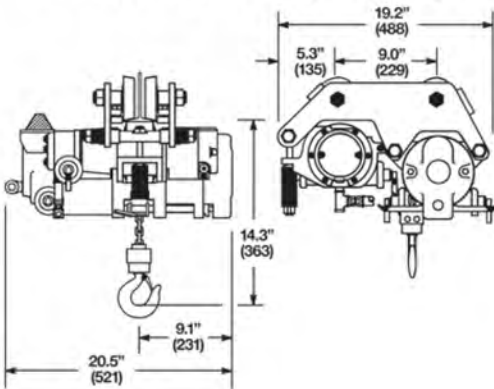
3000 lbs., 4000 lbs. cap.  
42 in 1067 mm

- Axial Piston Air Motor
- Pendant Control
- Link Chain



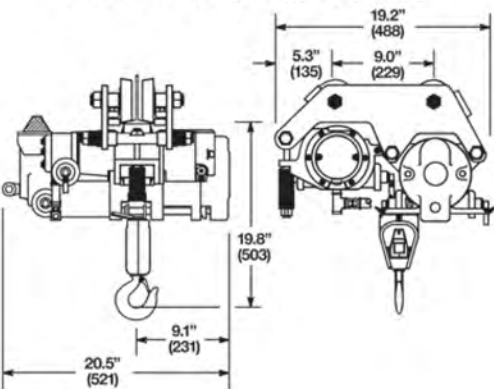
### Single Reeved

1100 lbs. (500 kg), 1500 lbs. (680 kg)  
& 2200 lbs. (1000 kg) Capacity



### Double Reeved

3000 lbs. (1360 kg) &  
4400 lbs. (2000 kg) Capacity



**P2 C A 11 L P E L --- A A A 11**

**SERIES**

P2

**TYPE MOUNT**

C = Combination

**FEATURES**

A = Standard Unit  
 E = Edible Grease  
 H = Hi Temp Grease  
 P = Epoxy Paint  
 R = Epoxy Paint/Edible Grease  
 S = Epoxy Paint/Hi Temp Grease

**CAPACITY**

10 = 1000 lbs.      22 = 2200 lbs.  
 11 = 1100 lbs.      30 = 3000 lbs.  
 15 = 1500 lbs.      44 = 4400 lbs.

**CHAIN TYPE**

L = Link

**CONTROL TYPE**

P = Pendent (w/Hoistrator-4LVR)  
 W = Pendent Ready

**CONTROL LENGTH**

E = 5 FT      T = 20 FT  
 J = 10 FT      Y = 25 FT  
 O = 15 FT      Z = No Control Length

**CHAIN OPTIONS**

L = Standard Link  
 P = Zinc Plated Link  
 Q = S.R. Link  
 X = No Chain

**AMOUNT OF LIFT**

--- Specify Length in Feet, 3 digits  
 Example: 10' Lift 010

**CAPACITY RATING**

03 = 300 lbs. (10/11/15)  
 05 = 500 lbs. (10/11/15)  
 10 = 1000 lbs. (10/11/15)  
 11 = 1100 lbs. (10/11/15)  
 15 = 1500 lbs. (15/22)  
 20 = 2000 lbs. (22)  
 22 = 2200 lbs. (22)  
 30 = 3000 lbs. (30/44)  
 31 = 1100 lbs. (30)  
 32 = 2200 lbs. (30/44)  
 40 = 4000 lbs. (44)  
 44 = 4400 lbs. (44)

**VINTAGE**

A

**LOWER HOOK**

A = Standard (11/22)      F = S.R. Bullard (30)  
 B = Bullard (11/22)      G = Standard (44)  
 C = S.R. Std. (10/15)      H = Bullard (44)  
 D = S.R. Bullard (10/15)      X = No Hook  
 E = S.R. Std. (30)

**TRACTOR/TROLLEY**

A = 3-5.25" Std. Speed Tapered (11/22/44)  
 B = 3-5.25" Std. Speed Flat (11/22/44)  
 C = 3-5.25" Std. Speed S.R. Tapered (10/15/30)  
 D = 3-5.25" Std. Speed S.R. Flat (10/15/30)  
 E = 3-5.25" Slow Speed Tapered (11/22/44)  
 F = 3-5.25" Slow Speed Flat (11/22/44)  
 G = 3-5.25" Slow Speed S.R. Tapered (10/15/30)  
 H = 3-5.25" Slow Speed S.R. Flat (10/15/30)  
 I = 3-5.25" High Speed Tapered (11/22/44)  
 J = 3-5.25" High Speed Flat (11/22/44)  
 K = 3-5.25" High Speed S.R. Tapered (10/15/30)  
 L = 3-5.25" High Speed S.R. Flat (10/15/30)  
 M = 5-7" Std. Speed Tapered (11/22/44)  
 N = 5-7" Std. Speed Flat (11/22/44)  
 O = 5-7" Std. Speed S.R. Tapered (10/15/30)  
 P = 5-7" Std. Speed S.R. Flat (10/15/30)  
 Q = 5-7" Slow Speed Tapered (11/22/44)  
 R = 5-7" Slow Speed Flat (11/22/44)  
 S = 5-7" Slow Speed S.R. Tapered (10/15/30)  
 T = 5-7" Slow Speed S.R. Flat (10/15/30)  
 U = 5-7" High Speed Tapered (11/22/44)  
 V = 5-7" High Speed Flat (11/22/44)  
 W = 5-7" High Speed S.R. Tapered (10/15/30)  
 Y = 5-7" High Speed S.R. Flat (10/15/30)

Note: Numbers in parentheses following an option, represent the hoist capacities for which that option is available.

Model Number	Chain Type	Capacity		Lifting & Lowering Speeds				Traversing Speed		Reeves	Weight	
				Maximum Lift		Maximum Lower		fpm	mpm		fpm	mpm
Pendent Control		lbs.	kg	fpm	mpm	fpm	mpm	fpm	mpm		lbs.	kg
P2CA11LPEL010AAA11	Link	1100	500	34	10	107	33	70	21	1	145	66
P2CA22LPEL010AAA22	Link	2200	1000	17	5	56	17	69	21	1	170	77
P2CA44LPEL010AGA44	Link	4400	2000	9	3	28	9	65	20	2	202	92
<b>Spark Resistant Units</b>												
P2CA15LPEQ010CCA15	Link	1500	680	23	7	58	18	70	21	1	170	77
P2CA30LPEQ010CEA30	Link	3000	1360	11	3	26	8	65	20	2	202	92

**General:**

Air Inlet: 3/8" NPT (use 5/8" I.D. Hose)  
 Performance rated at 90 psig (6 bar/620 kPa) air pressure.  
 Air Consumption:  
 Hoist - 44 cfm (1.2 m<sup>3</sup>/min.) at rated load.  
 Hoistractor - 30 cfm (.8 m<sup>3</sup>/min) at rated load.

**Standard Equipment:**

Hoist/Hoistractor combination unit with 10 ft. (3.0m) lift  
 Pendent Control: 5 ft. (1.5m) hose length

**Extra Equipment:**

Chain container - page 54-55  
 Additional Pendent Control hose lengths (specify when ordering)  
 Piped exhaust adapter (1/2" NPT) - 500344  
 (3/4" NPT) - 535779