

# Hoist/Hoistactor Combination Units

K1 Series



## K1 Series

### Capacity:

2200-8800 lbs. 1000-4000 kg

### Beam flange width:

2200 lbs., 3300 lbs., 4400 lbs. cap.

3.00-6.25 in 76-159 mm

6600 lbs., 8800 lbs. cap.

4.00-6.25 in 102-159 mm

### Minimum turning radius:

2200 lbs., 3300 lbs., 4400 lbs. cap.

60 in 1254 mm

6600, 8800 lbs. cap.

72 in 1829 mm

### Rotary Vane Air Motor

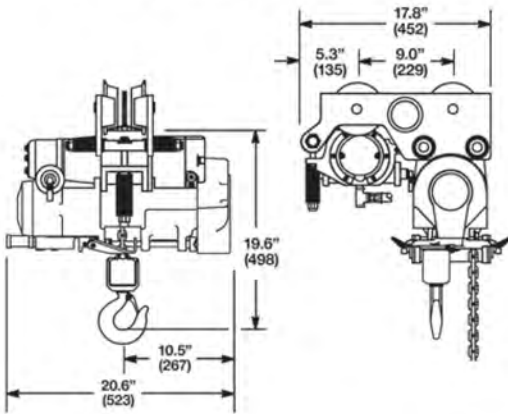
### Pendent Control

### Link Chain



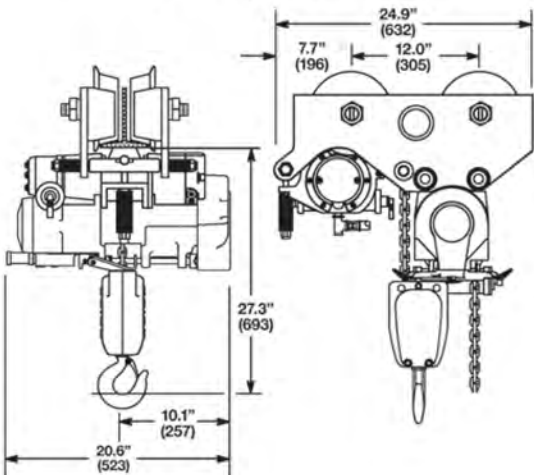
### Single Reeved

2200 lbs. (1000 kg), 3300 lbs. (1500 kg)  
& 4400 lbs. (2000 kg) Capacity



### Double Reeved

6600 lbs. (3000 kg) & 8800 lbs.  
(4000 kg) Capacity



**K1 C A 22 L P E P --- A A A 22**

**SERIES**

**K1**

**TYPE MOUNT**

**C** = Combination

**FEATURES**

- A** = Standard Unit
- H** = Hi Temp Grease
- P** = Epoxy Paint
- S** = Epoxy Paint/Hi Temp Grease

**CAPACITY**

- 22** = 2200 lbs.      **66** = 6600 lbs.
- 33** = 3300 lbs.      **88** = 8800 lbs.
- 44** = 4400 lbs.

**CHAIN TYPE**

**L** = Link

**CONTROL TYPE**

- P** = Pendant (w/Hoistractor-4LVR)
- W** = Pendant Ready

**CONTROL LENGTH**

- E** = 5 FT      **T** = 20 FT
- J** = 10 FT      **Y** = 25 FT
- O** = 15 FT      **Z** = No Control Length

**CHAIN TYPE**

- P** = Zinc Plated Link
- X** = No Chain

**CAPACITY RATING**

- 11** = 1100 lbs. (22/33/44)
- 22** = 2200 lbs. (22/33/44)
- 33** = 3300 lbs. (33/44)
- 34** = 3300 lbs. (66)
- 44** = 4400 lbs. (44)
- 45** = 4400 lbs. (66/88)
- 66** = 6600 lbs. (66/88)
- 88** = 8800 lbs. (88)

**VINTAGE**

**A**

**LOWER HOOK**

- A** = Standard Link (22/33/44)
- B** = Bullard Link (22/33/44)
- C** = Standard Link (66/88)
- D** = Bullard Link (66/88)
- X** = No Lower Hook

**TROLLEY**

- A** = 3-6.25" Standard Speed, Tapered (22/33/44)
- B** = 3-6.25" Standard Speed, Flat (22/33/44)
- C** = 3-6.25" Slow Speed, Tapered (22/33/44)
- D** = 3-6.25" Slow Speed, Flat (22/33/44)
- E** = 3-6.25" High Speed, Tapered (22/33/44)
- F** = 3-6.25" High Speed, Flat (22/33/44)
- G** = 4-6.25" Standard Speed, Tapered (66/88)
- H** = 4-6.25" Standard Speed, Flat (66/88)
- I** = 3.25" Standard Speed, NrW (66/88)
- J** = 4-6.25" Slow Speed, Tapered (66/88)
- K** = 4-6.25" Slow Speed, Flat (66/88)
- L** = 3.25" Slow Speed, NrW Flat (66/88)
- M** = 4-6.25" High Speed, Tapered (66/88)
- N** = 4-6.25" High Speed Flat (66/88)
- O** = 3.25" High Speed NrW (66/88)

**AMOUNT OF LIFT**

--- Specify Length in Feet, 3 digits  
 Example: 10' lift 010

Note: Numbers in parentheses following an option, represent the hoist capacities for which that option is available.

Model Number	Chain Type	Capacity		Lifting & Lowering Speeds				Traversing Speed		Reeves	Weight	
				Maximum Lift		Maximum Lower		fpm	mpm		fpm	mpm
Pendant Control		lbs.	kg	fpm	mpm	fpm	mpm	fpm	mpm		lbs.	kg
K1CA22LPEP010AAA22	Link	2200	1000	33	10	52	16	69	21	1	325	147
K1CA33LPEP010AAA33	Link	3300	1500	21	6	34	10	67	20	1	325	147
K1CA44LPEP010AAA44	Link	4400	2000	15	5	24	7	65	20	1	325	147
K1CA66LPEP010GCA66	Link	6600	3000	10	3	17	5	57	17	2	390	177
K1CA88LPEP010GCA88	Link	8800	4000	7	2	12	4	50	15	2	390	177

**General:**

- Air Inlet: 1/2" NPT (use 3/4" I.D. Hose)
- Performance rated at 90 psig (6 bar/620 kPa) air pressure.
- Air Consumption:
  - Hoist – 75 cfm (2.12 m<sup>3</sup>/min.) at rated load.
  - Hoistractor – 30 cfm (.8 m<sup>3</sup>/min.) at rated load.

**Standard Equipment:**

- Hoist/Hoistractor combination unit with 10 ft. (3.0m) lift
- Pendant Control: 5 ft. (1.5m) hose length

**Extra Equipment:**

- Chain container – page 54-55
- Piped exhaust adapter (1/2" NPT) – 500344
- (3/4" NPT) – 536567