

Hoist/Hoistactor Combination Units

P3 Series



P3 Series

Capacity:

2200-8000 lbs. 1000-3629 kg

Beam flange width:

2200 lbs., 4300 lbs. capacity
3.38-6.25 in 86-159 mm

8000 lbs. capacity
4.00-6.25 in 102-159 mm

Minimum turning radius:

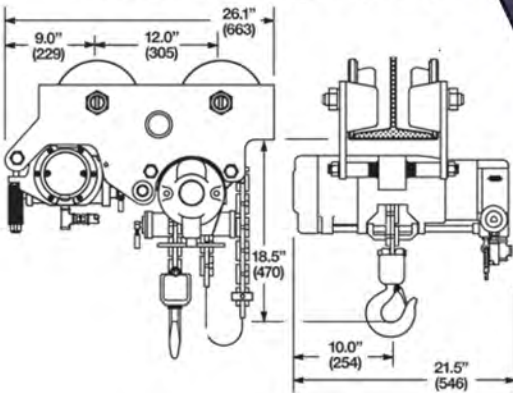
2200 lbs., 4300 lbs. capacity
72 in 1829 mm

8000 lbs. capacity
72 in 1829 mm

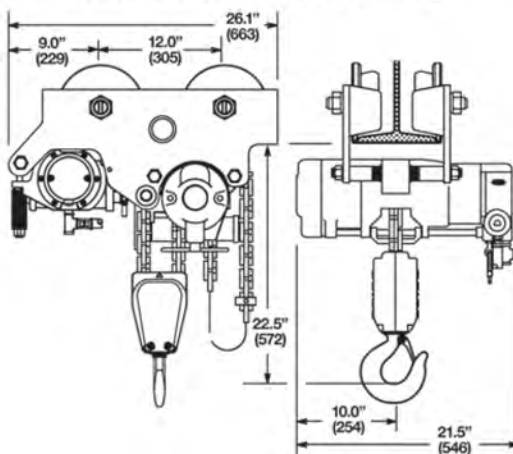
- Axial Piston Air Motor
- Pendant Control
- Link Chain



Single Reeved
2200 lbs. (1000 kg) &
4300 lbs. (1950 kg) Capacity



Double Reeved
8000 lbs. (3629 kg) Capacity



P3 C A 22 L P E P --- A A A 22

SERIES

P3

TYPE MOUNT

C = Combination

FEATURES

A = Standard Unit
 H = Hi Temp Grease
 P = Epoxy Paint
 S = Epoxy Paint/Hi Temp Grease

CAPACITY

22 = 2200 lbs.
 43 = 4300 lbs.
 80 = 8000 lbs.

CHAIN TYPE

L = Link

CONTROL TYPE

P = Pendant Standard
 X = None-Pendant Ready

CONTROL LENGTH

E = 5 FT T = 20 FT
 J = 10 FT Y = 25 FT
 O = 15 FT Z = No Control Length

CHAIN OPTIONS

P = Zinc Plated Link
 X = No Chain

CAPACITY RATING

11 = 1100 lbs. (22)
 20 = 2000 lbs. (22/43)
 22 = 2200 lbs. (22/43)
 40 = 4000 lbs. (43)
 43 = 4300 lbs. (43)
 50 = 5000 lbs. (80)
 60 = 6000 lbs. (80)
 80 = 8000 lbs. (80)

VINTAGE

A

LOWER HOOK

A = Standard (22/43)
 B = Bullard (22/43)
 C = Standard (80)
 D = Bullard (80)
 X = No Lower Hook

TROLLEY

A = 4-6.25" Standard Speed Tapered (22/43/80)
 B = 4-6.25" Standard Speed Flat (22/43/80)
 C = 3.25-3.33" NrW Flat (22/43/80) Std.
 D = 4-6.25" Slow Speed Tapered (22/43/80)
 E = 4-6.25" Slow Speed Flat (22/43/80)
 F = 3.25-3.33" Slow Speed NrW Flat (922/43/80)
 G = 4-6.25" High Speed Tapered (22/43/80)
 H = 4-6.25" High Speed Flat (922/43/80)
 I = 3.25-3.33" High Speed NrW Flat (22/43/80)

AMOUNT OF LIFT

--- Specify Length in Feet, 3 digits
 Example: 10' Lift 010

Note: Numbers in parentheses following an option, represent the hoist capabilities for which that option is available.

Model Number	Chain Type	Capacity		Lifting & Lowering Speeds				Traversing Speed		Reeves	Weight	
				Maximum Lift		Maximum Lower		fpm	mpm		fpm	mpm
Pendant Control		lbs.	kg	fpm	mpm	fpm	mpm	fpm	mpm		lbs.	kg
P3CA22LPEP010AAA22	Link	2200	1000	30	9	80	24	69	21	1	325	147
P3CA43LPEP010AAA43	Link	4300	1950	15	5	40	12	65	20	1	325	147
P3CA80LPEP010ACA80	Link	8000	3629	7	2	20	6	55	17	2	365	166

General:

Air Inlet: 1/2" NPT (use 3/4" I.D. Hose)
 Performance rated at 90 psig (6 bar/620 kPa) air pressure.
 Air Consumption:
 Hoist – 83 cfm (2.35 m³/min.) at rated load.
 Hoistactor – 30 cfm (.8 m³/min) at rated load.

Standard Equipment:

Hoist/Hoistactor combination unit with 10 ft. (3.0m) lift
 Pendant Control: 5 ft. (1.5m) hose length

Extra Equipment:

Chain container – page 54-55