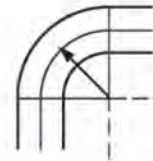
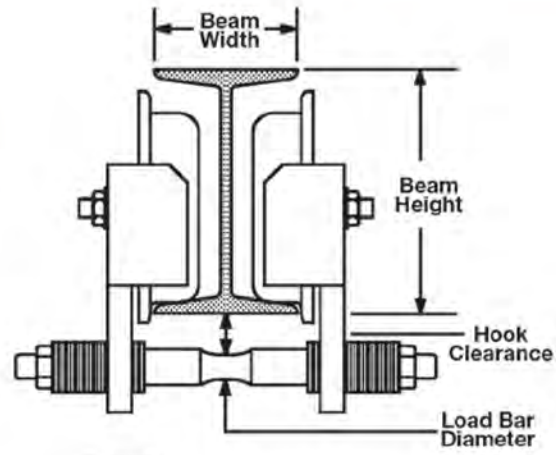


# Trolleys for Hook Mounted Hoists



### Turning Radius:

Trolleys may be required to operate on curved beams. Determine the amount of curve (turning radius) involved and list this information on the order. The diagram to the left illustrates the proper method of measuring turning radius.

Hoist Capacity		Beam Width				Minimum Radius Turning		Part Number			Hook Clearance**		Load Bar Diameter		
		Min.		Max.											
lbs.	kg	in.	mm	in.	mm	in.	mm	Taper Wheel	Flat Wheel	Drawbar*	in.	mm	in.	mm	
<b>Hoist Series 7</b>															
275	125	2.33	59	4.66	118	18	457	532992				1.50	38	0.75	19
<b>Hoist Series K5</b>															
550	250	2.66	68	4.66	118	18	457	534925	534926	A60165	1.88	48	0.88	22	
1100	500	2.66	68	4.66	118	18	457	527431	528235	A60165	1.88	48	0.88	22	
2200	1000	3.00	76	5.25	133	21	533	527432	528236	A60164	2.25	57	1.12	28	
<b>Hoist Series K1</b>															
2200*	1000	3.00	76	5.25	133	21	533	527432	528236	A60164	2.25	57	1.12	28	
3300	1498	3.31	84	6.00	152	42	1067	534451	534709	A60164	2.25	57	1.25	32	
4400	2000	3.31	84	6.00	152	42	1067	532274	534710	A60164	2.25	57	1.25	32	
6600	3000	4.00	102	6.25	159	72	1829	531040	531040	516710	3.00	76	1.75	44	
8800	4000	4.00	102	6.25	159	72	1829	531041	531041	516710	3.00	76	1.75	44	
<b>Hoist Series P1</b>															
300	136	2.66	68	4.66	118	18	457	539383	539384	A60165	1.88	48	0.88	22	
500	227	2.66	68	4.66	118	18	457	534923	534924	A60165	1.88	48	0.88	22	
1000	454	2.66	68	4.66	118	18	457	527491	528161	A60165	1.88	48	0.88	22	
2000	908	3.00	76	5.25	133	21	533	527492	528166	A60164	2.25	57	1.12	28	
<b>Hoist Series P2</b>															
1100	500	2.66	68	4.66	118	18	457	527431	528235	A60165	1.88	48	0.88	22	
2200	1000	3.00	76	5.25	133	21	533	527432	528236	A60164	2.25	57	1.12	28	
4400	2000	3.31	84	6.00	152	42	1067	532274	534710	A60164	2.25	57	1.12	32	
<b>Hoist Series P3</b>															
2200	1000	3.00	76	5.25	133	21	533	527432	528236	A60164	2.25	57	1.12	28	
4300	1950	3.31	84	6.00	152	42	1067	528234	528237	A60164	2.25	57	1.25	32	
8000	3629	4.00	102	6.25	159	72	1829	533578	533578	516710	3.00	76	1.75	44	
<b>Spark Resistant Trolleys</b>															
<b>Hoist Series P1</b>															
500	227	2.66	68	4.66	118	18	457	539388	539389	A60165	1.88	48	0.88	22	
1000	454	3.00	76	5.25	133	21	533	539376	539377	A60164	2.25	57	1.12	28	
<b>Hoist Series P2</b>															
1500	680	3.00	76	5.25	133	21	533	528186	528179	A60164	2.25	57	1.12	28	
3000	1361	3.31	84	6.00	152	42	1067	528187	528188	A60164	2.25	57	1.12	32	

\*NOTE: Drawbar for Hoistractor  
 \*\*NOTE: Dimensions are for smallest size track