

# Hook Mounted Hoists

P3 Series



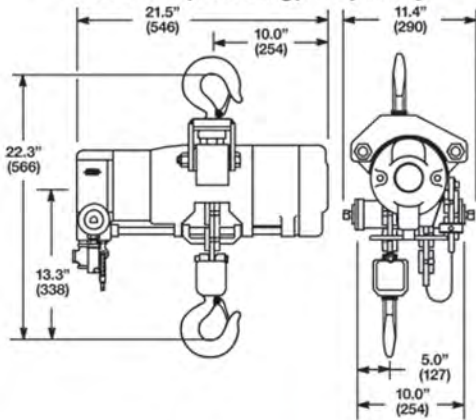
## P3 Series

Capacity:  
2200-8000 lbs. 1000-3629 kg

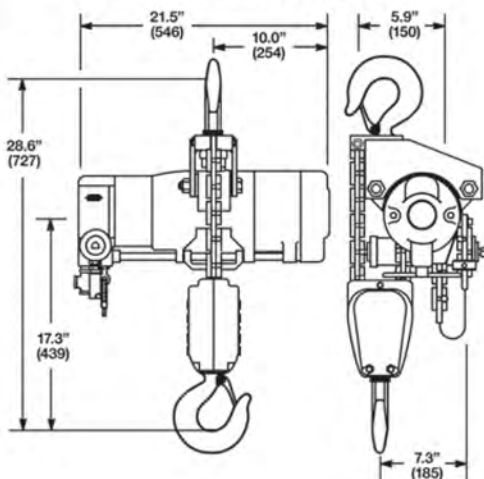
- Axial Piston Air Motor
- Pendant Control
- Link Chain



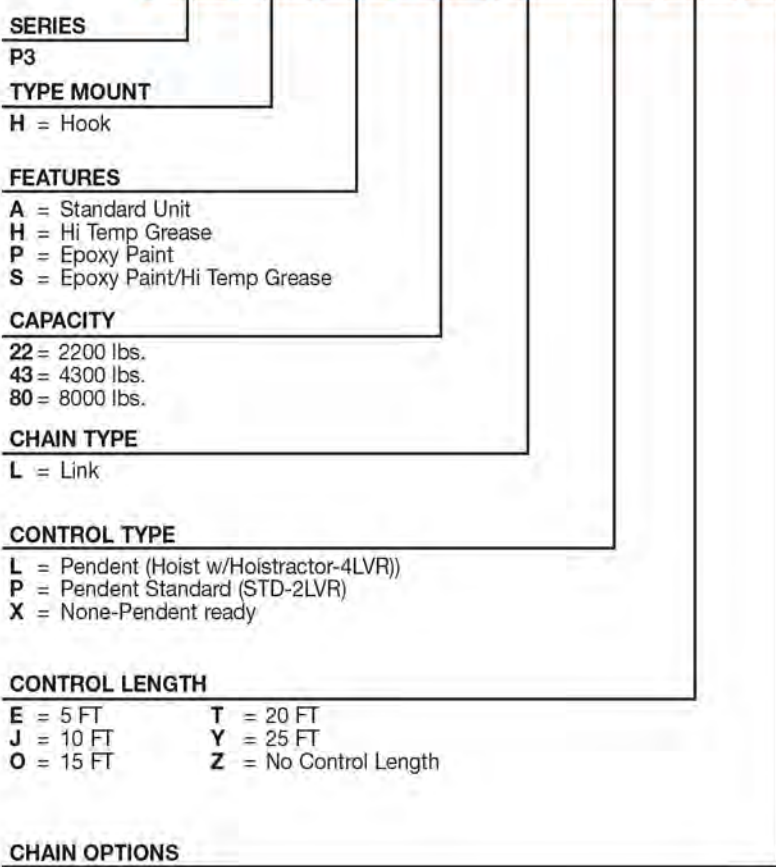
Single Reeved  
2200 lbs. (1000 kg) &  
4300 lbs. (1950 kg) Capacity



Double Reeved  
8000 lbs. (3629 kg) Capacity



**P3 H A 22 L P E P --- A A A 22**



**SERIES**

P3

**TYPE MOUNT**

H = Hook

**FEATURES**

- A = Standard Unit
- H = Hi Temp Grease
- P = Epoxy Paint
- S = Epoxy Paint/Hi Temp Grease

**CAPACITY**

- 22 = 2200 lbs.
- 43 = 4300 lbs.
- 80 = 8000 lbs.

**CHAIN TYPE**

L = Link

**CONTROL TYPE**

- L = Pendent (Hoist w/Hoistractor-4LVR)
- P = Pendent Standard (STD-2LVR)
- X = None-Pendent ready

**CONTROL LENGTH**

- E = 5 FT
- J = 10 FT
- O = 15 FT
- T = 20 FT
- Y = 25 FT
- Z = No Control Length

**CHAIN OPTIONS**

- P = Zinc Plated Link
- X = No Chain

**CAPACITY RATING**

- 11 = 1100 lbs. (22)
- 20 = 2000 lbs. (22/43)
- 22 = 2200 lbs. (22/43)
- 40 = 4000 lbs. (43)
- 43 = 4300 lbs. (43)
- 50 = 5000 lbs. (80)
- 60 = 6000 lbs. (80)
- 80 = 8000 lbs. (80)

**VINTAGE**

A

**LOWER HOOK**

- A = Standard (22/43)
- B = Bullard (22/43)
- C = Standard (80)
- D = Bullard (80)
- X = No Hook

**UPPER HOOK**

- A = Standard (22/43)
- B = Bullard (22/43)
- C = Standard (80)
- D = Bullard (80)
- X = No Hook

**AMOUNT OF LIFT**

--- Specify Length in Feet, 3 digits  
 Example: 10' lift 010

Note: Numbers in parentheses following an option, represent the hoist capacities for which that option is available.

Model Number	Chain Type	Capacity		Lifting & Lowering Speeds				Reeves	Weight	
				Max. Lift		Max. Lower				
Pendent Control		lbs.	kg	fpm	mpm	fpm	mpm		lbs.	kg
P3HA22LPEP010AAA22	Link	2200	1000	30	9	80	24	1	135	61
P3HA43LPEP010AAA43	Link	4300	1950	15	5	40	12	1	135	61
P3HA80LPEP010CCA80	Link	8000	3629	7	2	20	6	2	180	82

**General:**

Air Inlet: 1/2" NPT (use 3/4" I.D. Hose)  
 Performance rated at 90 psig (6 bar/620 kPa) air pressure.  
 Air Consumption 83 cfm (2.35 m<sup>3</sup>/min.) at rated load.

**Standard Equipment:**

Hook mounted air hoist with 10 ft. (3.0) lift  
 Pendent Control: 5 ft. (1.5m) hose length

**Extra Equipment:**

Chain container – page 54-55  
 Hoist trolleys – page 22  
 Auxiliary cable (Backup suspension) – page 57  
 Tractor connection kit – 516710