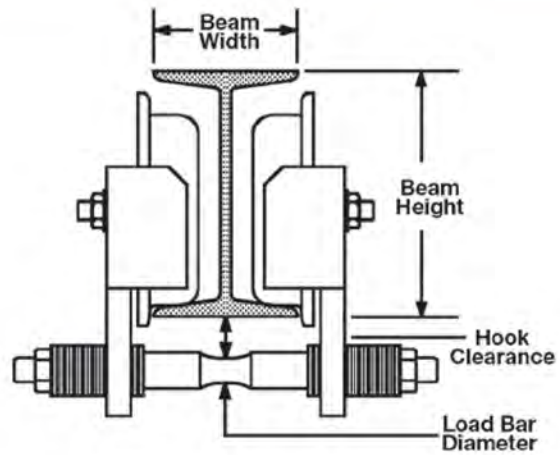


Trolleys for Lug Mounted Hoists



Turning Radius:

Trolleys may be required to operate on curved beams. Determine the amount of curve (turning radius) involved and list this information on the order. The diagram to the left illustrates the proper method of measuring turning radius.

Hoist Capacity		Beam Width				Minimum Radius Turning		Part Number			Hook Clearance**		Load Bar Diameter		
		Min.		Max.											
lbs.	kg	in.	mm	in.	mm	in.	mm	Taper Wheel	Flat Wheel	Drawbar*	in.	mm	in.	mm	
Hoist Series K5															
550	250	2.66	68	4.66	118	18	457	534925	534926	A60165	1.88	48	0.88	22	
1100	500	2.66	68	4.66	118	18	457	527431	528235	A60165	1.88	48	0.88	22	
2200	1000	3.00	76	5.25	133	21	533	527432	528236	A60164	2.25	57	1.12	28	
Hoist Series P1															
300	136	2.66	68	4.66	118	18	457	539383	539384	A60165	1.88	48	0.88	22	
500	227	2.66	68	4.66	118	18	457	534923	534924	A60165	1.88	48	0.88	22	
1000	454	2.66	68	4.66	118	18	457	527491	528161	A60165	1.88	48	0.88	22	
2000	908	3.00	76	5.25	133	21	533	527492	528166	A60164	2.25	57	1.12	28	

*NOTE: Drawbar for Hoistractor

**NOTE: Dimensions are for smallest size track