

Lug Mounted Hoists

K5 Series



K5 Series

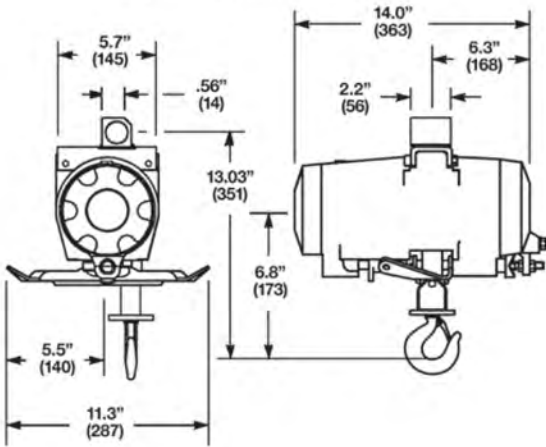
Capacity:

550-2200 lbs. 250-1000 kg

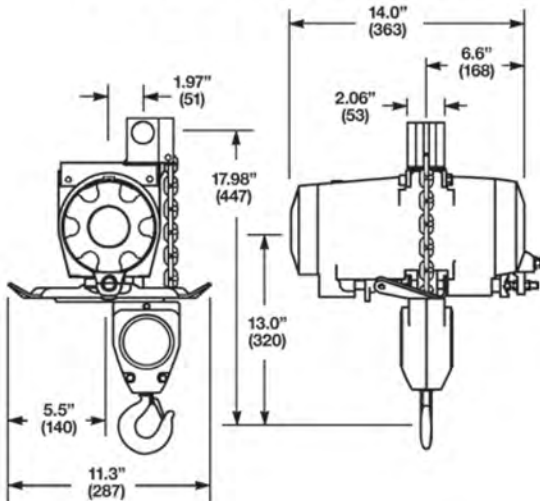
- Rotary Vane Air Motor
- Rope or Pendant Control
- Link Chain



Single Reeved
550 lbs. (250 kg) & 1100 lbs.
(500 kg) Capacity



Double Reeved
2200 lbs. (1000 kg) Capacity



K5 L A 05 L P E L --- A A A 05

SERIES

K5

TYPE MOUNT

L = Lug

FEATURES

A = Standard Unit
 H = Hi Temp Grease
 P = Epoxy Paint
 S = Epoxy Paint/Hi Temp Grease

CAPACITY

05 = 550 lbs.
 11 = 1100 lbs.
 22 = 2200 lbs.

CHAIN TYPE

L = Link

CONTROL TYPE

P = Pendant (Standard-2LVR)
 R = Rope
 W = None-Pendant Ready
 X = None

CONTROL LENGTH

E = 5 FT T = 20 FT
 J = 10 FT Y = 25 FT
 O = 15 FT Z = None

CHAIN OPTIONS

L = Link
 X = No Chain

CAPACITY RATING

05 = 550 lbs. (05)
 06 = 550 lbs. (22)
 11 = 1100 lbs. (11)
 12 = 1100 lbs. (22)
 22 = 2200 lbs. (22)

VINTAGE

A

LOWER HOOK

A = Standard Link (05/11)
 B = Bullard Link (05/11)
 E = Standard Link (22)
 F = Bullard Link (22)
 X = No Hook

UPPER LUG

A = Standard (05/11)
 B = Standard (22)
 X = No Hook

AMOUNT OF LIFT

--- Specify Length in Feet, 3 digits
 Example: 10' lift 010

Note: Numbers in parentheses following an option, represent the hoist capacities for which that option is available.

Model Number		Chain Type	Capacity		Lifting & Lowering Speeds				Reeves	Weight	
Pendant Control	Rope Control				Maximum Lift		Maximum Lower				
			lbs.	kg	fpm	rpm	fpm	rpm			
K5LA05LPEL010AAA05	K5LA05LREL010AAA05	Link	550	250	40-67	12-20	110-147	33-44	1	42	19
K5LA11LPEL010AAA11	K5LA11LREL010AAA11	Link	1100	500	20-50	6-15	80-120	24-36	1	42	19
K5LA22LPEL010BEA22	K5LA22LREL010BEA22	Link	2200	1000	10-25	3-7	40-60	12-18	2	54	25

General:

Air Inlet: 1/2" NPT (use 3/4" I.D. Hose)
 Performance rated at 90 psig (6.2 bar/620 kPa) air pressure.
 Air Consumption 75 cfm (2.12m³/min.) at rated load.

Standard Equipment:

Lug mounted air hoist with 10 ft. (3.0m) lift
 Rope Control: 5 ft. (1.5m) rope length
 Pendant Control: 5 ft. (1.5m) hose length

Extra Equipment:

Chain container – page 54-55
 Hoist trolleys – page 22
 Auxiliary cable (Backup suspension) – page 57
 Air strainer intake fitting – A10161
 Piped exhaust adapter (3/4"NPT) – 536567