

Trolley Mounted Hoists

K1 Series



K1 Series

Capacity:

2200-8800 lbs. 1000-4000 kg

Beam flange width:

2200, 3300, 4400 lbs. cap.
3.00-6.25 in 76-159 mm

6600, 8800 lbs. capacity
4.00-6.25 in 102-159 mm

Minimum turning radius:

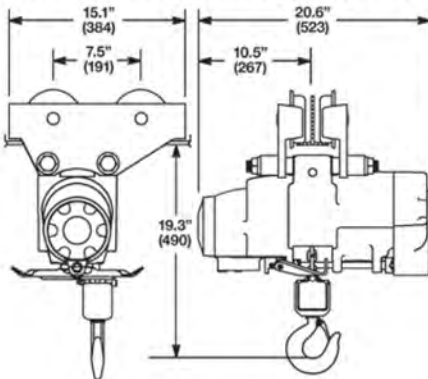
2200, 3300, 4400 lbs. cap.
60 in 1524 mm

6600, 8800 lbs. cap.
72 in 1829 mm

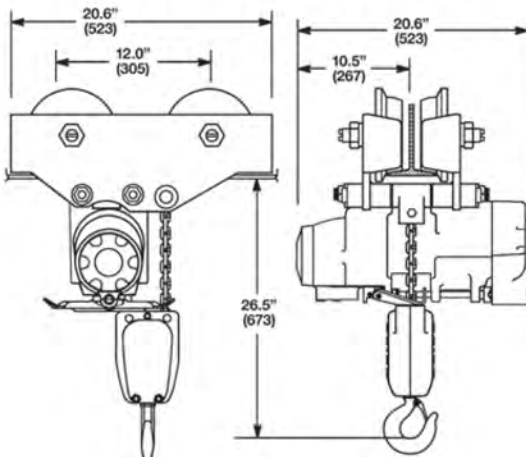
- Rotary Vane Air Motor
- Rope or Pendant Control
- Link Chain

Single Reeved

2200 lbs. (1000 kg), 3300 lbs. (1500 kg)
& 4400 lbs. (2000 kg) Capacity



Double Reeved
6600 lbs. (3000 kg) &
8800 lbs. (4000 kg) Capacity



K1 T A 22 L P E P --- A A A 22

SERIES
K1

TYPE MOUNT
T = Trolley

FEATURES
A = Standard Unit
H = Hi Temp Grease
P = Epoxy Paint
S = Epoxy Paint/Hi Temp Grease

CAPACITY
22 = 2200 lbs. 66 = 6600 lbs.
33 = 3300 lbs. 88 = 8800 lbs.
44 = 4400 lbs.

CHAIN TYPE
L = Link

CONTROL TYPE
P = Pendent (Standard-2LVR)
R = Rope
W = None-Pendent Ready
X = None

CONTROL LENGTH
E = 5 FT T = 20 FT
J = 10 FT Y = 25 FT
O = 15 FT Z = No Control Length

CHAIN OPTIONS
P = Zinc Plated Link
X = No Chain

CAPACITY RATING
11 = 1100 lbs. (22/33/44)
22 = 2200 lbs. (22/33/44)
33 = 3300 lbs. (33/44)
34 = 3300 lbs. (66)
44 = 4400 lbs. (44)
45 = 4400 lbs. (66/88)
66 = 6600 lbs. (66)
88 = 8800 lbs. (88)

VINTAGE
A

LOWER HOOK
A = Standard Link (22/33/44)
B = Bullard Link (22/33/44)
C = Standard Link (66/88)
D = Bullard Link (66/88)
X = No Hook

TROLLEY
A = 3-6.25" Tapered (22/33/44)
B = 4-6.25" Tapered (66/88)
C = 3.25" NrW Flat (66/88)
D = 3-6.25" Flat (22/33/44)
E = 4-6.25" Flat (66/88)
F = 2" NrW Flat (22/33/44)

AMOUNT OF LIFT
--- Specify Length in Feet, 3 digits
Example: 10' lift 010

Note: Numbers in parentheses following an option, represent the hoist capacities for which that option is available.

Model Number		Chain Type	Capacity		Lifting & Lowering Speeds				Reeves	Weight	
Pendent Control	Rope Control		lbs.	kg	Maximum Lift		Maximum Lower			lbs.	kg
					fpm	mpm	fpm	mpm			
K1TA22LPEP010AAA22	K1TA22LREP010AAA22	Link	2200	1000	33	10	52	16	1	270	123
K1TA33LPEP010AAA33	K1TA33LREP010AAA33	Link	3300	1500	21	6	34	10	1	270	123
K1TA44LPEP010AAA44	K1TA44LREP010AAA44	Link	4400	2000	15	5	24	7	1	270	123
K1TA66LPEP010BCA66	K1TA66LREP010BCA66	Link	6600	3000	10	3	17	5	2	278	140
K1TA88LPEP010BCA88	K1TA88LREP010BCA88	Link	8800	4000	7	2	12	4	2	278	140

General:
Air Inlet: 1/2" NPT (use 3/4" I.D. Hose)
Performance rated at 90 psig (6 bar/620 kPa) air pressure.
Air Consumption 75 cfm (2.12 m³/min.) at rated load.

Standard Equipment:
Trolley mounted air hoist with 10 ft. (3.0m) lift
Tapered Wheels
Rope Control: 5 ft. (1.5m) rope length
Pendent Control: 5 ft. (1.5m) hose length

Extra Equipment:
Chain container – page 54-55
Piped exhaust adapter (3/4" NPT) – 536567
Tractor connection kit – 516710 (Used to modify existing Hoist)